

saferoads

2026 Product Catalogue

saferoads.com.au





saferoads

Improving Public Safety

Saferoads have over 30 years experience in the public safety industry. We pride ourselves on being pioneers in the development of leading technology and solutions. Saferoads is an ASX listed company specialising in the provision of innovative road safety solutions throughout Australia, New Zealand and North America. We supply state government departments, local councils, road construction companies and equipment hire companies with a broad range of products and services designed to direct, protect and inform the public.





Solar Lighting	04
Roadway Solar V-LED Light	06
Blade Solar Light Galvanised Pole	07
Blade Solar Light Telescopic Pole	08
Blade Solar Light Hinged Pole	09
<hr/>	
Electronic Signs	10
Zone VMS Classic	12
Zone VMS Essential	13
<hr/>	
Temporary Barriers	14
Mash Tested Barriers	16
HV2 Barrier	19
T-Lok Barrier	20
Ironman Hybrid Barrier	22
SLED End Terminal	23
Pedestrian Barriers	24
Big Blockout Barrier	26
Blockout Barrier	27
Rubber Guard Barrier	28
Safe-T Guard Barrier	29
<hr/>	
Vehicle Mitigation	30
Rapid Stop Barrier	32
Rapid Stop Barrier Disabled Access	33
Rapid Stop Barrier Emergency Access	33
<hr/>	
Security Bollards	34
OmniStop Super Duty	36
OmniStop Ultra	37
Inground Lockable Bollard	38
Surface Mount Lockable Bollard	38
Surface Mount Bollard	39
<hr/>	
Guide Posts	40
SupaSteel Guide Post	42
SnapLoc Guide Post	44
<hr/>	
Traffic Calming	46
Separation Kerb	48
Rumble Bars	49
Caterpillar Safe Cycle	50
Rubber Wheel Stop	51
Rubber Speed Humps	52
Rubber Speed Cushions	53
Rubber Kerbing	54
Kangou Sign	56
Roll Out Speed Hump	57

The background of the page is a photograph of a road at dusk or dawn. The road is dark, with a white line marking on the right side. On the right side of the road, there is a yellow road sign. The sky is a mix of dark blue and light purple, suggesting the time is either early morning or late evening. Large trees are visible on the left side of the road, their silhouettes dark against the sky. The overall mood is quiet and somewhat somber.

saferoads

Solar Lighting

Affordable to run and simple to install, our solar LED lights are the ideal choice for areas facing difficulty connecting to mains power.

Solar lighting is also a popular choice for environmentally conscious contractors and communities where safety, security and reducing carbon emissions is a critical part of the local government strategy.



Road Way Solar V-LED Light

Ideal Solar Lighting Solution

Permanent

2 Year Product Warranty

3 Year Battery Warranty



- 75W Australian approved V-LED Luminaire
- 360W solar panel
- Built-in lithium-ion batteries
- Heavy duty aluminium frame
- Direct bury slip base pole
- Wind rating: Region A, B & C



Specifications

Product Code	Rating	Power	LED	Wattage	Light Head Body	Finishing	Pole Wall Thickness	Pole Grade
K20200106	IP66 IK06	360W Solar Panel	CREE	75W Aldridge V-LED	High Pressure Die Cast Aluminium	Powder Coated (std. grey)	7mm	GDE350

Please note: Saferoads Roadway Solar V-LED Light is mounted on a direct bury, slip base pole. The pole is to be installed in accordance with local road or power authority requirements. Typically the hole is to be backfilled with compacted layers of approved natural material, crushed rock or stabilised sand. An un-reinforced concrete pad at the bottom of the hole may be required to help prevent the pole sinking over time. Please refer to saferoads.com.au for the most up to date specifications

Blade Solar Light

Galvanised Pole

Permanent

2 Year
Product
Warranty

3 Year
Battery
Warranty



- Premium grade permanent commercial solar lighting
- 8m galvanised steel light pole
- Surface or in-ground mount options for easy installation
- Optional remote programmable smart lighting
- Massive 72Ah battery capacity (up to 12.8V)
- Wind rating: Region A, B & C



*Product image is for illustrative purposes only.

Specifications

Product Code	Efficiency	Lumens	Colour Temperature	CRI	Beam Angle	Weight	Battery Capacity	Light Output	Pole Height
K20200109	207lm/W	15525lm	5000K	Ra≥70	150° x 60°	22.5kg	12.8V/72Ah	75W	8m

Please refer to saferoads.com.au for the most up to date specifications

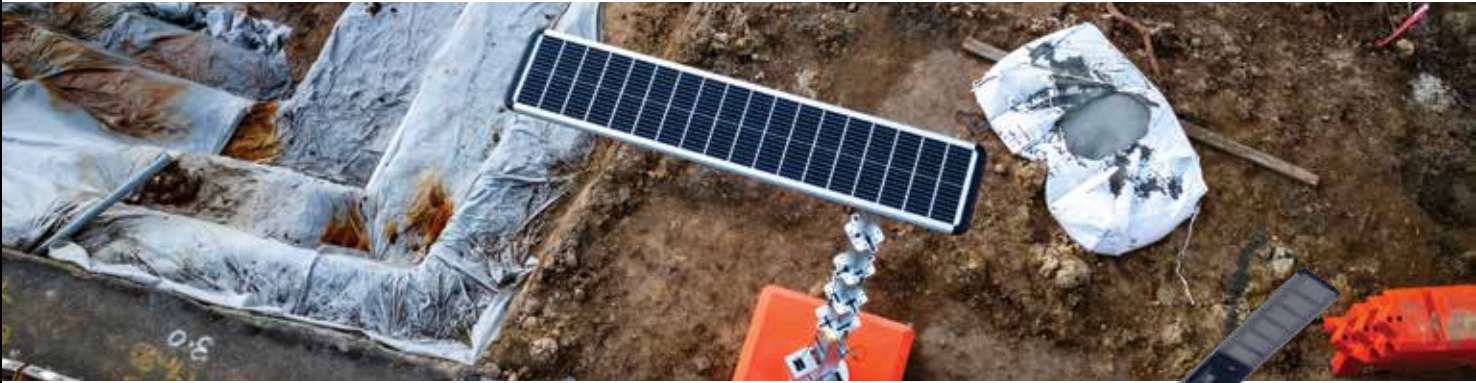
Blade Solar Light

Telescopic Pole

Portable

2 Year Product Warranty

3 Year Battery Warranty



- Premium grade commercial solar lighting
- Newly designed hot dip galvanised (SHS) telescopic pole
- Optional remote programmable smart lighting
- Massive 72Ah battery capacity (up to 12.8V)
- 3 base options rated to suit wind regions A, B & C
- The rotationally molded plastic base has an indented space for branding signage and can be customised to suit your business in a range of colours



Light Head Specifications

Product Code	Efficiency	Lumens	Colour Temperature	CRI	Beam Angle	Weight	Battery Capacity	Light Output
F20100200	207lm/W	15525lm	5000K	Ra≥70	150° x 60°	22.5kg	12.8V/72Ah	75W

Base Specification

Telescopic Pole	Plastic Base Wind Region A, B & C	Single Concrete Block Wind Region A	Double Concrete Block Wind Region B & C
Product Code	K20100202	K20100201	K20200112
Collapsed Overall Height	2.6m	2.6m	2.9m
Expanded Overall Height	6.6m	6.6m	6.9m
Base Weight	950kg	650kg	1590kg
Overall weight of a complete light with telescopic mast	1110kg	810kg	1750kg

Please refer to saferoads.com.au for the most up to date specifications

Blade Solar Light

Hinged Pole

Portable

2 Year
Product
Warranty

3 Year
Battery
Warranty



- Premium grade commercial solar lighting
- Hinged galvanised steel 6m light pole
- Unique base with hinge design allows for ease of deployment
- Optional remote programmable smart lighting
- Massive 72Ah battery capacity (up to 12.8V)
- 3 base options rated to suit wind regions A, B and C
- The rotationally molded plastic base has an indented space for branding signage and can be customised to suit your business in a range of colours



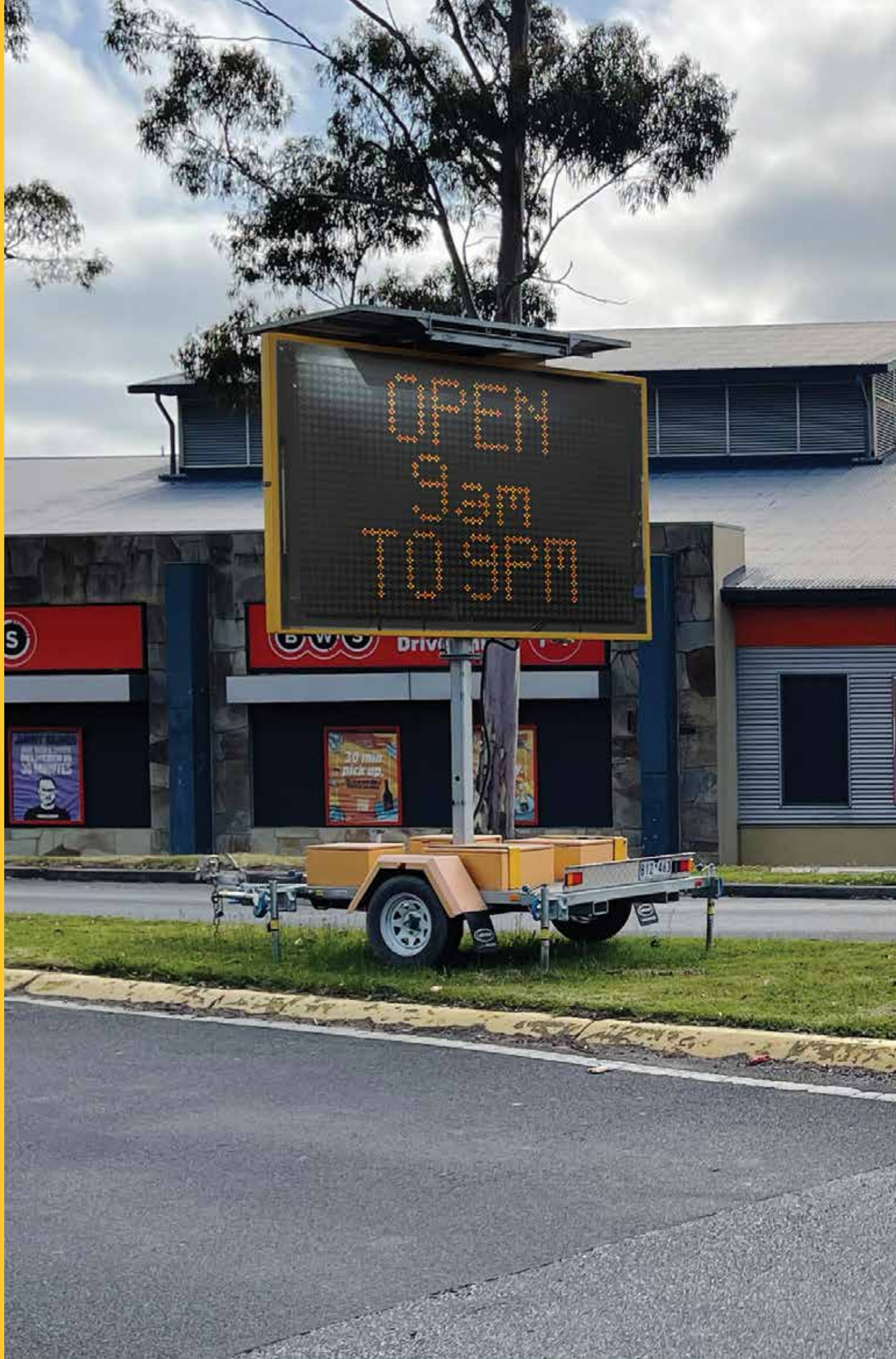
Light Head Specifications

Product Code	Efficiency	Lumens	Colour Temperature	CRI	Beam Angle	Weight	Battery Capacity	Light Output
F20100200	207lm/W	15525lm	5000K	Ra≥70	150° x 60°	22.5kg	12.8V/72Ah	75W

Base Specification

Hinged Pole	Plastic Base Wind Region A, B & C	Single Concrete Block Wind Region A	Double Concrete Block Wind Region B & C
Product Code	K20100203	K20100200	K20200110
Overall Height	6.0m	5.8m	6.1m
Base Weight	950kg	650kg	1590kg
Overall weight of a complete light with a hinged pole	1054kg	754kg	1694kg

Please refer to saferoads.com.au for the most up to date specifications





saferoads

Electronic Signs

Do you want to display your message in a way that's sure to catch the eye of passers-by?

Whether it's a safety message or advertising, VMS Boards are the ideal solution. Also known as variable message signs or trailers, they are popular in a range of sectors, from roads and freeways, construction, to consumers sales, mining and utility industries.

At Saferoads, you can be confident you're investing in premium electronic road signs. Assembled and built in Australia, and backed by our in-house technical support team, our variable message boards undergo quality assurance testing before they're supplied to our customers.

Zone VMS Classic

Communicate Promotional or Traffic Control Messages

C Size VMS

Hybrid Model Available



- Australian designed and built C-Size VMS
- Amber or five colour (blue, green, amber, red and white) options
- Heavy duty, fully galvanised and powder coated
- 4 x 12V 200AH batteries with on board battery charger
- 3 x 200W solar panels that tilt and rotate
- 100% Australian developed, owned and hosted, Zone 2 online management platform
- 24/7 Australian support
- Easy to use internet platform accessible from any browser/smartphone/tablet device
- On board message manager
- Fully sealed tool boxes with gas struts (x4)
- Checker plate floor and spare wheel
- Box security brackets (optional)
- Available as a hybrid model with no tilt and rotate on the solar panels



Specifications

Product Code	Weight (TARE)	ATM	Length Overall	Width Overall	Height Travelling	Deployed Footprint Length	Deployed Footprint Width	Max Deployed Height	No. of 12V 200AH Batteries	No. of 200W Solar Panels
Amber F1504001C5	1180kg	1500kg	3650mm	2080mm	2930mm	3650mm	2725mm	5300mm	4	3
Colour F1504001P	1180kg	1500kg	3650mm	2080mm	2930mm	3650mm	2725mm	5300mm	4	3

Please refer to saferoads.com.au for the most up to date specifications



Zone VMS Essential

Advertise your Business or Event with Ease

C Size
VMS



- Australian designed and built C-Size VMS
- Amber or five colour (blue, green, amber, red and white) options
- Heavy duty, fully galvanised and powder coated
- 12V 200AH batteries (Amber x 2, Colour x 3)
- 2 x 200W solar panels
- 100% Australian developed, owned and hosted, Zone 2 online management platform
- 24/7 Australian support
- Easy to use internet platform accessible from any browser/smartphone/tablet device
- On board message manager (optional)
- Fully sealed tool boxes (x2)
- Checker plate floor and spare wheel (optional)
- Box security brackets (optional)



Specifications

Product Code	Weight (TARE)	ATM	Length Overall	Width Overall	Height Travelling	Deployed Footprint Length	Deployed Footprint Width	Max Deployed Height	No. of 12V 200AH Batteries	No. of 200W Solar Panels
Amber F1504001E5	800kg	1500kg	3670mm	2080mm	2850mm	3670mm	2725mm	4200mm	2	2
Colour F1504001EC	860kg	1500kg	3670mm	2080mm	2850mm	3670mm	2725mm	4200mm	3	2

Please refer to saferoads.com.au for the most up to date specifications



saferoads

Temporary Barriers

Saferoads is a world leading innovator in developing advanced road safety barrier systems.

Our range of barriers are independently crash tested and approved, and can therefore be used with confidence. Our traffic barriers contribute to the reduction of work zone related crash incidents.





saferoads

MASH Tested Barriers

Saferoads crash barriers are independently crash tested to MASH guidelines and can therefore be used with confidence.

Saferoads MASH compliant barriers redirect errant vehicles, contributing to the reduction of work zone related crash incidents.







Saferoads MASH Tested Barriers

Saferoads is regarded as an industry expert in the safety barrier sector and has designed and manufactures industry leading barriers, the HV2, Ironman Hybrid and T-Lok Barriers, which are specifically designed for road conditions. Saferoads MASH tested temporary Barriers can be used in many applications such as, road maintenance, resurfacing and construction, lane closures, detours and bridge repairs.

MASH Barrier Comparison	HV2 Barrier	T-Lok Barrier 3.6m	T-Lok Barrier 5.49m	Ironman Hybrid Barrier
Effective Length	5.8m	3.66m	5.49m	4.15m
Height	900mm	810mm	810mm	813mm
Width	450mm	610mm	610mm	546mm
Weight per unit	2088kg	2600kg	3900kg	925kg
Successfully	MASH TL-4	MASH TL-3	MASH TL-3	MASH TL-2
ASBAP Approved	100 km/h	100 km/h	100 km/h	70 km/h
Deflection	1.47m MASH TL-3 2.37m MASH TL-4	1.27m MASH TL-3	1.27m MASH TL-3	1.49m MASH TL-2
Minimum Radius	80m	30m 8m with Wedge	46m 12m with Wedge	78m 10m with Wedge
High Containment	✓	✓	✓	X
Economical to Transport	✓	X	X	✓
Durable	✓	X	X	✓
Amount Transportable by Semi-Truck	10	9	6	24 stacked in two layers

Please refer to saferoads.com.au for the most up to date specifications

End Treatments

Temporary barrier deployments require an end treatment. These are crash cushions designed to be attached to the end of safety barrier alignment in order to absorb the impact of vehicle collisions.

There are a range of different end treatment options available;

- **Unanchored** - which move with the force of the collision
- **Non-redirectional** - which aren't designed to divert a colliding vehicle
- **Non-gating** - which won't envelop the vehicle
- **Fully re-directional** - which divert a colliding vehicle to a safer location

HV2 Barrier

MASH TL-4 Unanchored Barrier

MASH TL-4

ASBAP 100km/h

High Containment



- HV2 Barrier has ASBAP approval to 100km/h
- First and only unanchored steel barrier to successfully be crash tested to MASH TL-4
- High containment and low deflection upon impact
- Lightweight and economical to transport
- Rapid deployment and retrieval
- Multiple end treatments can be used, approved with SLED and QuadGuard M10 CZ



Specifications

Product Code	Effective Length	Height	Width	Weight Per Unit	Weight Per Metre	Successfully Tested To	ASBAP Approval	Deflection	Transportable Per Semi Truck
F1304028	5.8m	900mm	450mm	2088kg	360kg	MASH TL-4	100km/h	1.47m MASH TL-3 2.37m MASH TL-4	10 units

Please refer to saferoads.com.au for the most up to date specifications

Product Approvals

Saferoads T-Lok Barrier is approved for use by Austroads, Department of Transport (Vic Roads), Transport for NSW, Department of Main Roads QLD, Main Roads WA and New Zealand Transport Agency Waka Kotahi



T-Lok Barrier

MASH TL-3 Longitudinal Barrier

MASH TL-3

ASBAP 100km/h

Wedge for tight radius projects



- T-Lok Barrier has ASBAP approval to 100km/h
- Freestanding, temporary longitudinal barrier system successfully crash tested to MASH TL-3
- Low deflection and safe re-direction
- Available in either 3.66m or 5.49m lengths
- Multiple end treatments can be used
- Sight/debris screens bolt on
- Can be deployed with steel wedge to accommodate tight radius projects



Specifications

Product Code	Effective Length	Height	Width	Weight Per Unit	Weight Per Metre	Successfully Tested To	ASBAP Approval	Deflection	Transportable Per Semi Truck
F1303000	3.66m	810mm	610mm	2600kg	722kg	MASH TL-3	100km/h	1.27m MASH TL-3	9 units
F1303001	5.49m	810mm	610mm	3900kg	722kg	MASH TL-3	100km/h	1.27m MASH TL-3	6 units

Please refer to saferoads.com.au for the most up to date specifications

Steel Wedge Radius Solution for T-Lok Barriers

- Facilitates placement of T-Lok Barriers at tighter radii
- Enables the 3.66m barrier to be deployed on a radius as tight as 8m
- Enables the 5.49m barrier to be deployed on a radius as tight as 12m
- The wedge has ASBAP approval to 60km/h
- 5m design deflection where wedges are used

Wedge Specifications

Product Code	Height	Width	Weight Per Unit	ASBAP Approval
F130400	810mm	44-148mm	60.4kg	60km/h

Please refer to saferoads.com.au for the most up to date specifications



Product Approvals

Saferoads T-Lok Barrier is approved for use by Austroads, Department of Transport (Vic Roads), Transport for NSW, Department for Infrastructure and Transport SA, Department of Main Roads QLD, Main Roads WA.



Saferoads is a world leading innovator in developing advanced road safety barrier systems

Ironman Hybrid Barrier

Crash Tested and Free Standing

MASH TL-2

ASBAP 70km/h

Wedge for tight radius projects



- Ironman Hybrid Barrier has ASBAP approval to 70km/h
- Free standing, temporary longitudinal barrier system successfully crash tested to MASH TL-2
- Safe redirection
- Fast deployment and retrieval
- Approved with freestanding SLED End Treatment
- Lightweight and economical to transport
- Can be deployed with steel wedge to accommodate tight radius projects



Specifications

Product Code	Effective Length	Height	Width	Weight Per Unit	Weight Per Metre	Successfully Tested To	ASBAP Approval	Deflection	Transportable Per Semi Truck
F13200035	4.15m	813mm	546mm	925kg	225kg	MASH TL-2	70km/h	1.49m MASH TL-2	24 stacked in two layers

Please refer to saferoads.com.au for the most up to date specifications

Steel Wedge Radius Solution for Ironman Hybrid Barriers

- Facilitates placement of Ironman Hybrid Barriers at tighter radii
- Enables the Ironman Hybrid Barrier to be deployed on a radius as tight as 10m
- The wedge has ASBAP approval to 60km/h
- 5m design deflection where wedges are used

Wedge Specifications

Product Code	Height	Width	Weight Per Unit	ASBAP Approval
F13020/7	814mm	144-285mm	79.4kg	60km/h

Please refer to saferoads.com.au for the most up to date specifications



Product Approvals

Saferoads Ironman Hybrid Barrier is approved for use by Austroads, Department of Transport (Vic Roads), Transport for NSW, Department for Infrastructure and Transport SA and Department of Main Roads QLD.

SLED End Terminal

MASH TL-3 Compliant End Treatment

MASH
TL-3

ASBAP
80km/h



- SLED End Terminal has ASBAP approval to 80km/h
- The Sentry Longitudinal Energy Dissipater (SLED) end terminal is a narrow, non re-directive gating crash cushion
- Designed to shield the end of various temporary barriers
- Unique design incorporates four internal steel cables which help envelop the impacting vehicle, reducing the possibility of secondary accidents
- Easily replaced after impact, nose and transition can be reused after most impacts
- Fast deployment and retrieval
- Durable, water filled, anchor free system



Specifications

Product Code	Height	Width	TL-3 Length	Successfully Tested To	ASBAP Approval	Material	Fill
F1304016	1067mm	685mm	7.7m	MASH TL-3	80km/h	UV Stabilized Polyethylene	Water

Please refer to saferoads.com.au for the most up to date specifications

Speed Configuration **Please note:** Approval to 80km/h only in all Australian States

TL-1 Configuration	TL-2 Configuration	TL-3 Configuration
Up to 50km/h (31mph) Length: 3.85m	Up to 70km/h (43mph) Length: 5.77m	Up to 100km/h (62mph) Length: 7.7m

Product Approvals

Saferoads SLED End Terminal is approved for use by Austroads, Department of Transport (Vic Roads), Transport for NSW, Department for Infrastructure and Transport SA, Department of Main Roads QLD, Main Roads WA and New Zealand Transport Agency Waka Kotahi.





A photograph of a road construction site. In the foreground, there are several large, orange, water-filled safety barriers. In the background, there are orange traffic cones and a road that has been partially closed off. The scene is set outdoors with trees and a clear sky.

saferoads

Pedestrian Barriers

Saferoads have a range of effective, non-tested delineation barriers to suit every project.

Our range of rubber, concrete and plastic water filled safety barriers act as a protective boundary and can be used for lower speed and offline sections of work areas that require separation from pedestrians or ongoing traffic. Pedestrian barriers can be moved around as needed on site.

Big Blockout Barrier

Durable Water Filled Barrier System

Non Tested

Water Filled



- Australian designed and manufactured
- Water filled barrier system for non tested applications, including site work, delineation, shielding or low speed and offline sections of work areas that require separation from pedestrians
- Extra durable and robust
- Highest quality plastic barriers available
- Segments are 2.2m in length with 8mm wall thickness
- Available in a range of bright colours for high visibility on-site
- Innovative tapered interlocking tabs are efficient to use
- Convenient to deploy and user friendly to stack
- Each join allows for 300 degree angling



Specifications

Product Code	Height	Height of 2 units stacked	Overall Length	Installed Length	Width	Wall Thickness	Weight (Empty)	Weight (Full)	Water Ballast
F1301709	940mm	1840mm	2200mm	2050mm	390mm	8mm	38kg	488kg	450L

Please note: This is not a crash tested barrier. Please refer to saferoads.com.au for the most up to date specifications



Blockout Barrier

Lightweight and Stackable

Non Tested

Water Filled



- Water filled barrier system for non-tested applications
- Delineation device for pedestrian or vehicle separation
- Lightweight, easy to transport and install
- Available in red and white
- Each join allows for over 240 degree angling
- Stackable
- Interlocking tabs



Specifications

Product Code	Height	Height of 2 units stacked	Overall Length	Installed Length	Width	Wall Thickness	Weight (Empty)	Weight (Full)	Water Ballast
Red K1301700	940mm	1892mm	1660mm	1.5m	390mm	3mm	15kg	268kg	250L
White K1301701									

Please note: This is not a crash tested barrier. Please refer to saferoads.com.au for the most up to date specifications



Rubber Guard Barrier

Durable Recycled Rubber Barrier

Non Tested

Recycled Rubber



For every 500m of Rubber Guard Barrier produced 92 tonnes of recycled tyres are used - equivalent to 15,300 passenger tyres

- Manufactured locally using 85% recycled rubber crumb
- Combats waste, reduces landfill emissions and contributes to a circular economy
- Fast, efficient deployment and retrieval
- Rubber increases the durability of the barrier increasing its lifespan
- Does not need to be filled with water, avoiding the need to dispose of waste water



Specifications

Product Code	Length	Height	Width	Weight	Weight Per Metre	Amount Transportable Per Semi Truck
F1305000	1.83m	810mm	610mm	400kg	216kg	56 stacked in two layers

Please note: This is not a crash tested barrier. Please refer to saferoads.com.au for the most up to date specifications



Safe-T Guard Barrier

Concrete Pedestrian Barrier

NEW Product

Non Tested

Concrete



- Concrete barrier system suitable for non-tested applications
- Separate vehicle traffic from pedestrians and protect building assets from deliberate vehicle impacts
- An alternative to steel bollards that provides high strength portable protection
- Dedicated lifting points allow for efficient deployment and movement around site using a forklift
- Sight/debris screens bolt on (optional) . Screens can be customised to offer branded signage



Specifications

Product Code	Length	Height	Width	Weight	Weight Per Metre	Amount Transportable Per Semi Truck
F1303700	1830mm	810mm	610mm	1300kg	722kg	18 in a single layer

Please note: This is not a crash tested barrier. Please refer to saferoads.com.au for the most up to date specifications



The logo for 'saferoads' is positioned in the top left corner. It features the word 'saferoads' in a lowercase, sans-serif font. 'saferoads' is in white, while 'saferoads' is in yellow. The background of the entire page is a photograph of a university campus with a brick building, trees, and a large red banner that reads 'WELCOME TO THE #1 UNI IN THE WORLD.' and 'WESTERN'.

saferoads

Vehicle Mitigation

Major events take place throughout Australia every year and draw huge crowds of people which can be a target for terrorism as well as being difficult to evacuate in case of other emergencies.

The Rapid Stop Barrier is the perfect solution; it stops vehicles in their tracks and is fully portable. It offers event managers an innovative way to protect the public from terrorists and errant drivers, without interfering with pedestrian activity.

Security Licence Number: 000110687



Rapid Stop Barrier

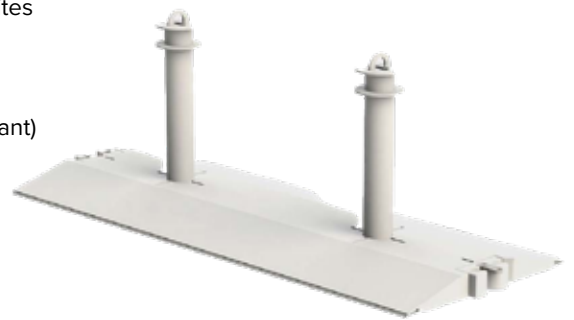
Crash Tested Pedestrian Protection

Crash Tested

Portable



- Portable protection for pedestrian dense areas, events and worksites
- Proven to safely stop vehicles impacting from any angle
- Allows for pedestrian movement
- Fully crash tested with a 2270kg vehicle at 60km/h (MASH compliant)
- Non-lethal to occupants of impacting vehicle
- Barriers can be used individually or as a combined system with Disabled Access or Emergency Gate modules



Specifications

Product Code	Installed Length	Unit Length	Unit Width	Unit Height (Bollard)	Unit Height (Base)	Weight	Footing
F1202046F	3000mm	3088mm	1150mm	1086mm	130mm	1250kg	Freestanding No footing requirements

Please refer to saferoads.com.au for the most up to date specifications

Crash Tested for Superior Protection

The Rapid Stop Barrier has been thoroughly crash tested to ensure it provides superior protection. The crash test results show the Rapid Stop Barrier will contain an errant vehicle, whether intentional or accidental, preventing a hostile vehicle entering a pedestrian dense area, thereby reducing the risk of injury and death.



5 Units

Installed length of Barriers
15m (5 x 3m segments)

2270kg 4x4 Dual Cab Pickup, 57km/h, 90°

PAS Rating: N1G – 48

Deflection: 3.52m



3 Units with Gate

Installed length of Barriers
9m (3 x 3m segments)

2270kg 4x4 Dual Cab Pickup, 52km/h, 90°

PAS Rating: N1G – 48

Deflection: 8.4m



2 Units (Simulated)

Installed length of Barriers
6m (2 x 3m segments)

2270kg 4x4 Dual Cab Pickup 60km/h, 90°

PAS Rating: N1G – 48

Deflection: 11.3m



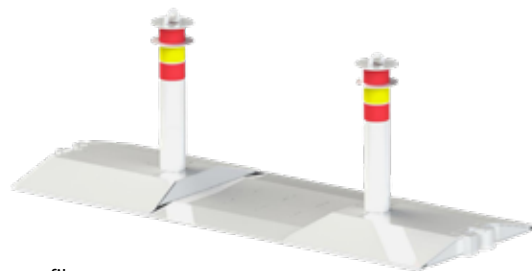
1 Units

Installed length of Barriers
3m (1 x 3m segments)

2270kg 4x4 Dual Cab Pickup 59km/h, 90°

PAS Rating: N1G – 48

Deflection: 15.7m



Rapid Stop Disabled Access

- Rapid Stop Barriers Disabled Access module is an unobtrusive, low profile ramp that allows easy access for wheelchairs or prams
- Disabled Access modules can be strategically placed in a deployment of standard barriers to allow for wheelchair access throughout the system
- The inclusion of the Disabled Access module ensures an event is inclusive and accessible to everyone, whilst maintaining maximum security and prevention of unauthorised vehicle entry
- Can be used standalone with additional end plates

Disabled Access Module Specifications

Product Code	Installed Length	Unit Length	Unit Width	Unit Height (Bollard)	Unit Height (Base)	Weight	Footing
F1202040	3000mm	3088mm	1150mm	1086mm	130mm	1040kg	Freestanding No footing requirements

Please refer to saferoads.com.au for the most up to date specifications



Rapid Stop Emergency Access

- Emergency Gate module can be placed between a minimum of two standard barriers, for a continuous barrier that has a 4.2m gate opening
- Keep pedestrian safety front of mind with the Rapid Stop Emergency Gate which will allow the swift entry and exit of large crowds whilst enabling the timely access of emergency vehicle as required

Gate Assembly Module Specifications

Product Code	Installed Length	Unit Width	Weight (Assembly)	Weight (Gate Arm Each)	Weight (Gate Retaining Pin)
F1202041	9000mm	1150mm	3900kg	230kg	7kg

Please refer to saferoads.com.au for the most up to date specifications



saferoads

Security Bollards

Saferoads has been providing and improving public and road safety solutions for 30 years and security bollards play a huge role in this.

We have developed the highest quality road safety bollards to protect pedestrians, including our latest portable bollards which are ideal for temporary installation at events. OmniStop bollards meet the technical specifications required by government road authorities such as VicRoads and Transport for NSW.

Security Licence Number: 000110687





OmniStop Super Duty

Independently Crash Tested

Crash Tested

Energy Absorbing

Permanent



- Fully crash tested with a 2270kg vehicle at 50km/h
- Protects pedestrians, outdoor diners and assets
- Reduces the risk of injury to the vehicle's occupants
- Allows pedestrian flow
- Ease of installation and replacement post impact
- Available in a range of colours, white, yellow, black, grey, stainless steel or customised to suit your project



Crash Tested for Superior Protection

ASTM F3016

2270kg/5000lb vehicle at 50kmh/30mph

Vehicle stopped: Hatchback, Sedan, SUV, Pickup



Specifications

Product Code	Part	Diameter	Length	Weight	Footing
K1208000	Bollard	150mm/6in	1450mm/57in	94kg/207lbs	600Ø x 1800mm
	Sleeve	155mm/6.1in I.D 165mm/6.5in O.D	500mm/20in	-	-
	Reo Cage	450mm/17in	1650mm/65in	113kg/249lbs	-

Please refer to saferoads.com.au for the most up to date specifications. For a full list of product codes and colour options please visit the product page on the website.



OmniStop Ultra

Protection Without Restriction on Pedestrians

Crash Tested

Energy Absorbing

Permanent



- Fully crash tested with a 1600kg vehicle at 60km/h
- Approved for use by Department of Transport (VicRoads) and Transport for NSW up to 50km
- Protects pedestrians, outdoor diners and assets
- Reduces the risk of injury to the vehicle's occupants
- Allows pedestrian flow
- Ease of installation and replacement post impact
- Available in a range of colours, white, yellow, black, grey, stainless steel or customised to suit your project



Crash Tested for Superior Protection

1600kg/3500lb vehicle at 60kmh/38mph

Vehicle stopped: Hatchback, Sedan, SUV, Pickup



Specifications

Product Code	Part	Diameter	Length	Weight	Footing
	Bollard	150mm/6in	1450mm/57in	67.5kg/149lbs	700Ø x 1000mm
K1202003	Sleeve	155mm/6in I.D 165mm/6.5in O.D	500mm/20in	-	-
	Reo Cage	550mm/21in	800mm/31in	-	-

Please refer to saferoads.com.au for the most up to date specifications. For a full list of product codes and colour options please visit the product page on the website.

Product Approvals

Saferoads Omnistop Ultra Bollard is approved for use by Department of Transport (Vic Roads) and Transport for NSW.



Inground Lockable Bollard

Heavy duty bollard



- Various colours available, also available in stainless steel
- Several cap options available, rain cap and flat cap
- Can be customised to suit your needs

Specifications

Product	Diameter (Cap)	Diameter (Sleeve)	Height	Height (Sleeve)
140mm	140mm	170mm	1270mm	1270mm
90mm	90mm	120mm	1265mm	305mm

Inground Lockable Bollard Products Available

Product Code	Description
K1202109-RC	Inground Lockable Steel Bollard 1.3m 140mm Diameter (Cap/Rain) including Galvanised base
K1202109-F	Inground Lockable Steel Bollard 1.3m 140mm Diameter (Flat Top) including Galvanised base
F1202109-F	Inground Lockable Steel Bollard 1.6m 140mm Diameter (Flat Top) including Galvanised base
K1202113-RC	Inground Lockable Steel Bollard 1.3m 90mm Diameter (Cap/Rain) including Galvanised base



Please note: This is not a crash tested bollard. Please refer to saferoads.com.au for the most up to date specifications.

Surface Mount Lockable Bollard

Versatile Bollard



- Easily removable
- Can be padlocked for extra security
- 2-Pac yellow paint for high visibility
- Easy 10 minute install
- Fully galvanised
- No destructive core drilling into paths or walkways

Specifications

Product	Diameter (Cap)	Base	Height (including cap)
140mm	140mm	250mm x 300mm	1323mm

Surface Mount Lockable Bollard Products Available

Product Code	Description
F1202110-P	Surface Mount Lockable Steel Bollard 1.3m 140mm Diameter Flat Top - Painted

Please note: This is not a crash tested bollard. Product can be custom designed to suit your needs - contact Saferoads for further information. Please refer to saferoads.com.au for the most up to date specifications.



Surface Mount Bollard

Visual Deterrent

Surface Mounted

Permanent



- Various colours available
- Several cap options available, rain cap, flat top and dome
- Can be customised to suit your needs

Specifications

Product	Diameter (Cap)	Width (Base)	Height
140mm	140mm	250mm	1270mm
90mm	90mm	250mm	1025mm

Surface Mount Bollard Products Available

Product Code	Description
F1202114-FP	Surface Mounted Steel Bollard 1m 140mm diameter (Flat Top) - Painted
F1202101-RC	Surface Mounted Steel Bollard 1m 140mm diameter (Post/Rain Cap) - Painted
F1202189	Surface Mounted Steel Bollard 1m 90mm diameter (Rain Cap) - Painted
F1202107-FP	Surface Mounted Steel Bollard 1.3m 140mm diameter (Flat Top) - Painted
F1202107-RC	Surface Mounted Steel Bollard 1.3m 140mm diameter (Rain Cap) - Painted



Please note: This is not a crash tested bollard. Please refer to saferoads.com.au for the most up to date specifications.





saferoads

Guide Posts

Saferoads began 30 years ago with the invention of our rubber hinge guide post. During this time, we have developed a range of guide post options designed to meet different needs.

You can be sure that no one knows guide posts as well as we do.

SupaSteel Guide Post

Can be Re-straightened After Vehicle Impacts

5 Year
Warranty

Steel



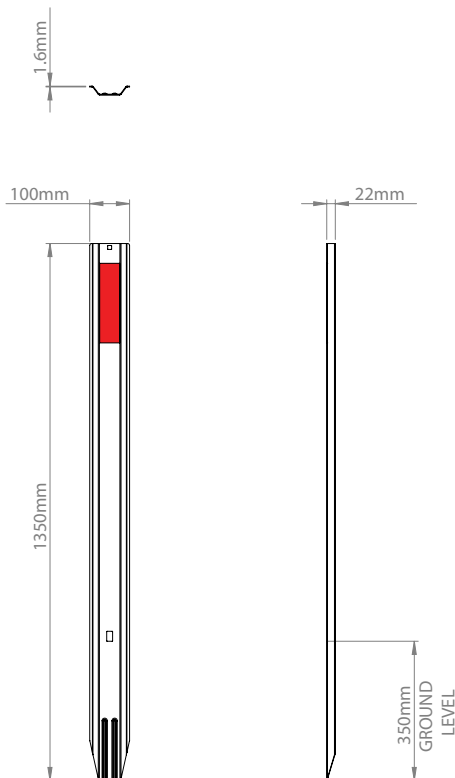
- The SupaSteel Guide Post is the strongest semi-flexible steel post available
- Can be re-straightened over 15 times after multiple vehicle impacts and remain rigid
- Reflective Class 1A Delineator. 50 x 200mm rectangle
- Easy to install - sharpest point of any steel guide post, aiding the installation process
- Ideal for installation in all ground types
- Will drive straight into bitumen and chip seal surfaces
- 5 year product warranty



Specifications

Product Code	Height	Width	Thickness	Weight	Installation	Mount
F1102140	1350mm	100mm	1.6mm	2kg	Manually or with power drivers	Steel

Please refer to saferoads.com.au for the most up to date specifications





Saferoads offer industry expertise and the best products available worldwide

SnapLoc Guide Post

Fast, Easy Install and Superior Durability

5 Year
Warranty

Self
Corrects
When Hit



- Rebounds after vehicle impact
- Recessed Class 1A delineator, 50 x 200mm rectangle
- Ultimate in durability, withstands multiple impacts
- Will outlast competitors - does not shatter or crack
- Easy to install with a jackhammer
- Unique urethane hinge will bend and self correct the post when impacted from any direction
- 5 year product warranty

Two Piece

- Easily removable with tool
- Offers multiple options for ground mounting
- Wheel over surface mount option
- Galvanised steel bridge mount

One Piece

- Star picket one piece socket



Specifications

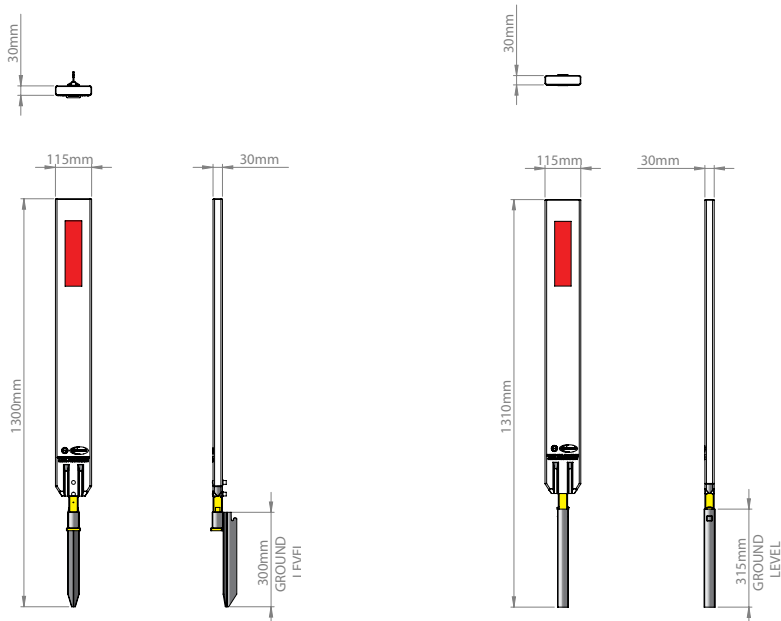
Product Code	Height	Width	Thickness	Weight	Installation	Mount	Hinge
Two Piece K1102007	1000mm	115mm	30mm	1.5kg with ground socket (315mm)	Under 30 Seconds	Multiple Mount Options Available	Durable, 100% Urethane
One Piece F1102135				1.6kg with star picket socket			

Please refer to saferoads.com.au for the most up to date specifications



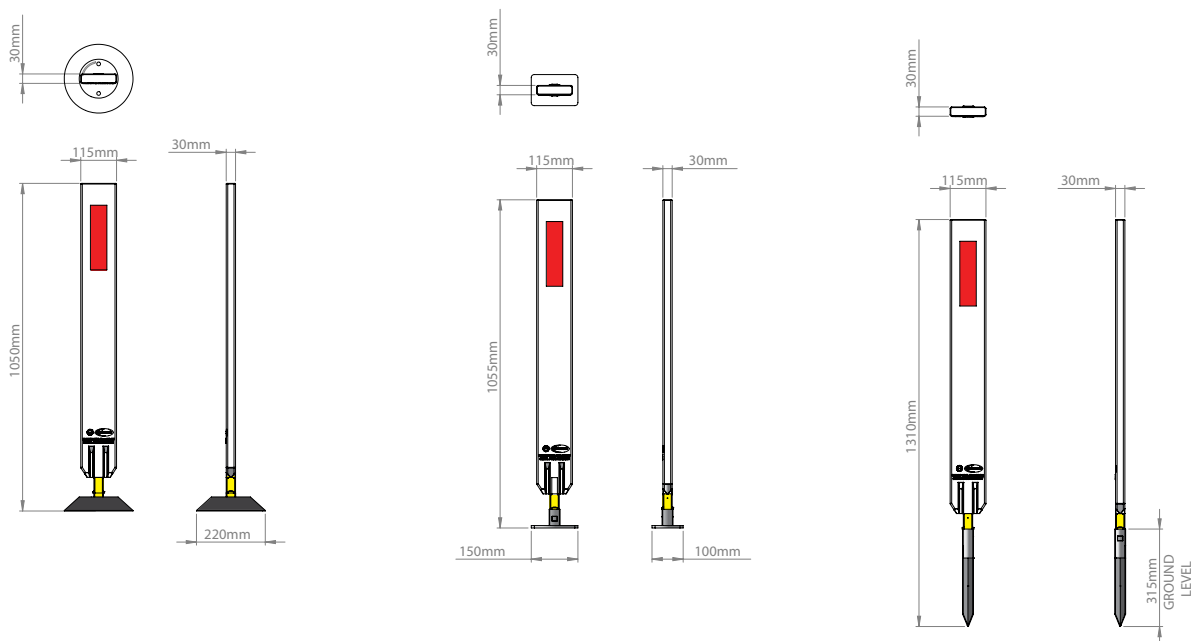
SnapLoc Guide Post

Mounting Options



**One Piece
Star Picket Socket**

**Two Piece
Ground Socket**



**Two Piece
Surface Mount Base**

**Two Piece
Bridge Mount Base**

**Two Piece
Spike Base**

Product Approvals

Saferoads SnapLoc Guide Post is approved for use by Department of Transport (Vic Roads), Transport for NSW, Department for Infrastructure and Transport SA, Department of Main Roads QLD, Main Roads WA





saferoads

Traffic Calming

Traffic calming is the installation of safety solutions, such as speed reduction humps or portable rumble strips, to slow, deter or redirect traffic. Traffic calming devices aim to encourage safer, more responsible driving in changing and risky conditions.

Separation Kerb

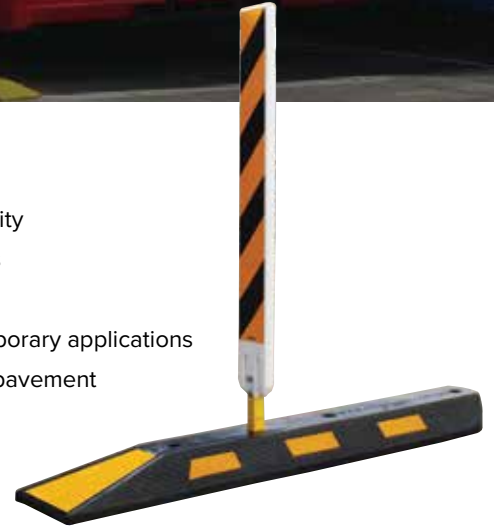
Redirect Or Separate Traffic With Ease

2 Year
Warranty

Black or
Yellow



- Designed to delineate, re-direct or separate traffic
- Manufactured with recycled rubber and EPDM rubber for superior durability
- Available in highly visible yellow or black with recessed reflective stickers
- Unique interlink design allows segments to work around curves
- Can be fastened for permanent applications or u-bolted together for temporary applications
- The flexible nature of Separation Kerb allows for a positive grip onto the pavement
- Contours to the road surface
- Does not need excessive road width or expensive excavation
- Separation Kerb posts can be added to provide additional delineation
- Available with road traffic control signage to suit many applications



Specifications

Segment	Product Code Yellow	Product Code Black	Height	Effective Length	Width	Weight
Intermediate	K1401785	K1401780	95mm	1500mm	265mm	29.5KG
Male End	K1401786	K1401781	95mm	1200mm	265mm	24KG
Female End	K1401787	K1401782	95mm	1460mm	265mm	24KG
Single	K1401788	K1401783	95mm	1000mm	265mm	18KG

Please refer to saferoads.com.au for the most up to date specifications

Accessories



Removal Tool
F1102120



Joining Bracket
(used for install instead of fasteners) F1401754



Separation Kerb Post
F140175



Rumble Bars

A Visual and Audible Warning to Drivers

2 Year
Warranty



- Surface mounted units that provide a visual and audible warning to motorists
- Alert of hazardous/unexpected traffic conditions ahead
- Easily installed - can be bolted or epoxied in place
- Manufactured with recycled rubber and EPDM rubber
- Heavy duty and built to last. Does not chip or crack like concrete
- Two profiles available: 25mm and 50mm in yellow colour with a checker plate finish



Specifications

Profile	Product Code	Height	Length	Width	Weight	Colour	Finish
Low Profile	K10402050	25mm	200mm	385mm	2kg	Yellow	Checker Plate
High Profile	K1402054	50mm	200mm	385mm	3kg	Yellow	Checker Plate

Please refer to saferoads.com.au for the most up to date specifications



Caterpillar Safe Cycle

Alerts Drivers to Avoid Bike Lanes

2 Year
Warranty



- Visibly and audibly engages drivers to avoid bike lanes protecting cyclists
- Manufactured with recycled rubber and EPDM rubber
- Safer for cyclists and motorists, with lower impact contour compared with other options on the market
- End caps built into the island design, so it can curve with roads as required
- Able to head in any direction without time consuming and unattractive joiners, due to spacing of 300mm between sections of Caterpillar



Specifications

Product Code	Height	Length	Width	Weight
K1404000	35mm	1000mm	150mm	3.76kg

Please refer to saferoads.com.au for the most up to date specifications



Rubber Wheel Stop

Durable and Installed in Minutes

2 Year
Warranty



- No more damaged vehicles
- Will not dislodge or crack
- Increased safety for motorists and pedestrians
- Manufactured from recycled rubber
- Reflective yellow markings for better visibility
- Durable and installed in minutes - no OH&S issues
- Cost effective alternative to asphalt or concrete
- 4 fixing points rather than industry standard of 3 to provide greater lifespan and rigidity
- Ready for immediate use



Specifications

Product Code	Height	Length	Width	Weight	Colour
K1402000	100mm	1650mm	150mm	15kg	Black & Yellow

Please refer to saferoads.com.au for the most up to date specifications



Rubber Speed Humps

Durable Solution To Slow Drivers Down

2 Year
Warranty



- Engages the driver to reduce speed
- Manufactured with recycled rubber
- Highly visible, durable and built to last
- Cost effective alternative to asphalt or concrete
- Cable/hose protector for temporary applications
- Extra fasteners to prevent dislodging or cracking
- 75mm model complies with Australian Standards
- 50mm model minimises driver discomfort
- Ready for immediate use, installed in minutes with minimal disruptions



Specifications

	Product Code	Height	Length	Width	Weight	Colour
Low Profile (50mm) Designed to reduce speed to 20km/h or less						
Intermediate (Pair)	K1401950	50mm	1m (500mm Black & 500mm Yellow)	350mm	6.5kg	Black & Yellow
End Cap (Pair)	K1401952	50mm	500mm	350mm	7kg	Yellow
Australian Standards Compliant (75mm) Designed to reduce speed to 5km/h or less						
Intermediate (Pair)	K1402708 or K1402710	75mm	500mm	400mm	11.5kg	Black or Yellow
End Cap (Pair)	K1402709 or K1402711	75mm	500mm	400mm	10.5kg	Black or Yellow

Please refer to saferoads.com.au for the most up to date specifications



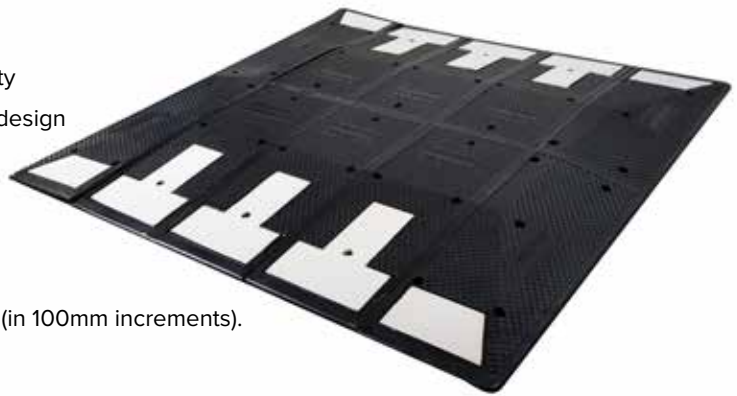
Rubber Speed Cushions

Reduce Speed, Accidents and Noise

2 Year
Warranty



- Engages the driver to reduce speed
- Unique modular design offering high levels of flexibility
- Will suit any road - various widths allow for a tailored design
- Minimal impact to buses, emergency vehicles
- Minimal driver discomfort
- Durable product manufactured from recycled rubber
- Ability to remove and relocate if required
- Width can be custom designed to any size above 2m (in 100mm increments). Contact Saferoads for further information



Specifications

Product Code	Height	Length	Width	Colour
K1401300	75mm	2m	1.6m	Black & White
K1401301	75mm	2m	1.7m	Black & White
K1401302	75mm	2m	1.8m	Black & White
K1401303	75mm	2m	1.9m	Black & White
K1402122	75mm	2m	2m	Black & White

Please refer to saferoads.com.au for the most up to date specifications



Rubber Kerbing

Quick to Install, Durable and Cost Effective

2 Year
Warranty



- Absorbs vehicle impacts
- Made with white EPDM rubber
- Does not crack, chip or breakaway
- Quick to install and easy to remove if required
- Cost effective and maintenance free - providing medium to long term traffic management
- Unlike concrete kerbing, rubber kerbing is resistant to greying from road grime over time and does not require constant maintenance to maintain its visibility
- Can be custom made to suit your requirements. Contact Saferoads for further information

Specifications

Product Code	Height	Length	Width	Weight	Colour	Radius
Semi-Mountable	125mm	1.0m	230mm	16.5kg	White	300, 600 & 1200mm
Semi-Barrier	150mm	1.0m	150mm	15.5kg	White	300, 600 & 1200mm

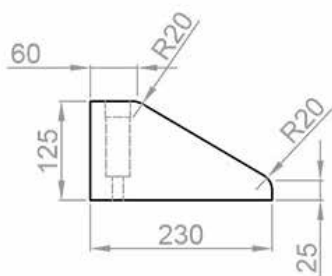
Please refer to saferoads.com.au for the most up to date specifications



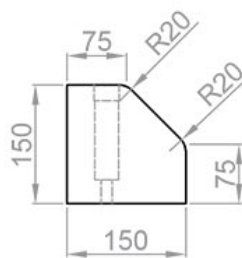
Cross Sections

Please note: Cross sections are twice the scale for clarity

Mountable



Barrier



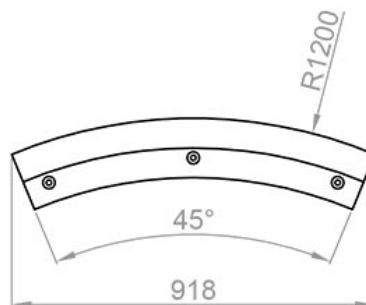
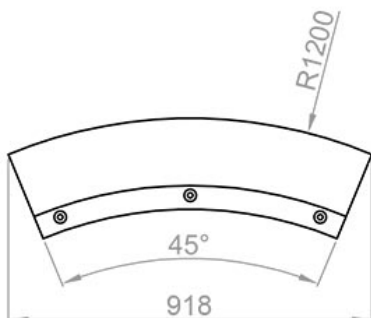
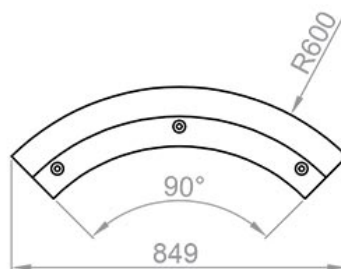
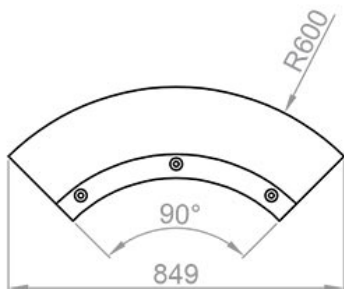
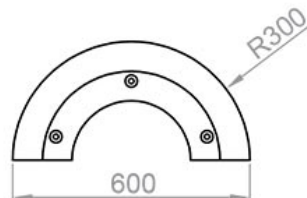
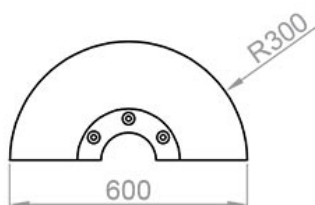
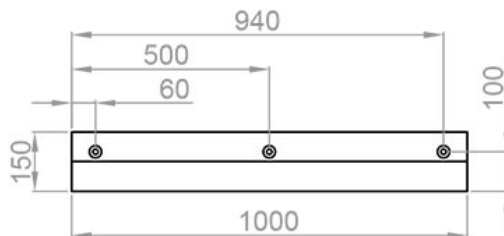
Standard Pieces

Pieces can be cut to suit your design

Mountable



Barrier



Kangou Sign

Impact Resistant Signage

5 Year
Warranty



- 360 degree impact resistant
- Withstands multiple impacts - extensively tested with a 40 tonne truck including wheel over impacts
- Integrated sign face
- Durable polyurethane hinge
- Customised decals that can be replaced
- Available in two profiles
- Decals can be replaced



Specifications

Product Code	Height	Width	Weight	Top	Sign Face	Decal	Hinge	Colour
F1104011	1355mm	190mm	7.3kg	Medium Density Polyethylene	150 x 1150mm	Class 1A Delineator	Injection Moulded Polyurethane	Grey
F1104010	1070mm	490mm	12kg	Medium Density Polyethylene	450 x 600mm	Class 1A Delineator	Injection Moulded Polyurethane	Grey

Please refer to saferoads.com.au for the most up to date specifications



Roll Out Speed Hump

Portable and Quick to Deploy

1 Year
Warranty



- Slow down vehicle traffic through road work zones
- Lightweight and portable - can be carried and set up in an instant
- Robust - stands up to cars and trucks (at low speeds)
- Does not require anchoring
- No glue or fixings required for installation
- Stowed in purpose designed bag with carry handles



Specifications

Product Code	Height	Length	Width	Weight	Colour
F1402700	40mm	3120mm	220mm	15kg	Black and Yellow

Please refer to saferoads.com.au for the most up to date specifications



saferoads

| Driven by Innovation |

Servicing Australia | New Zealand | North America | Europe | Asia

1800 060 672
sales@saferoads.com.au

saferoads.com.au